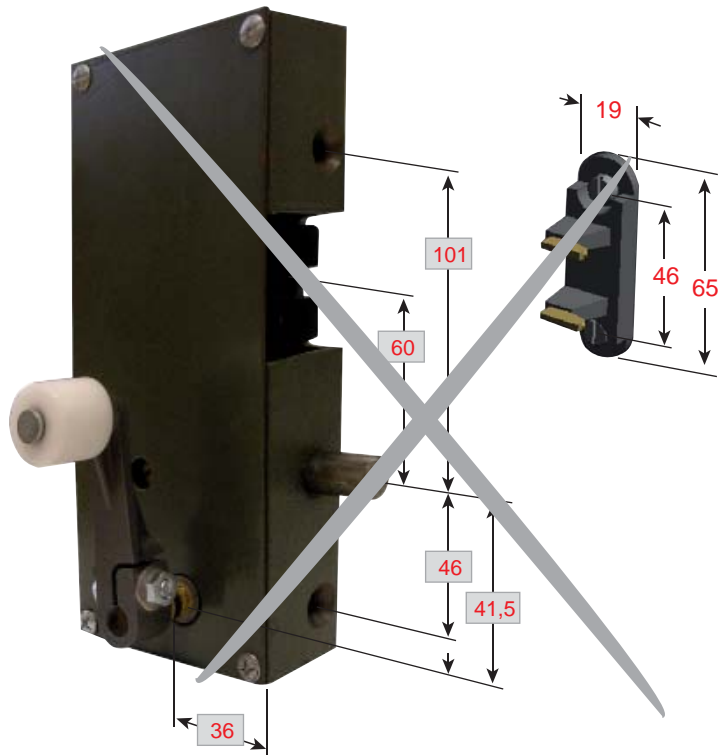


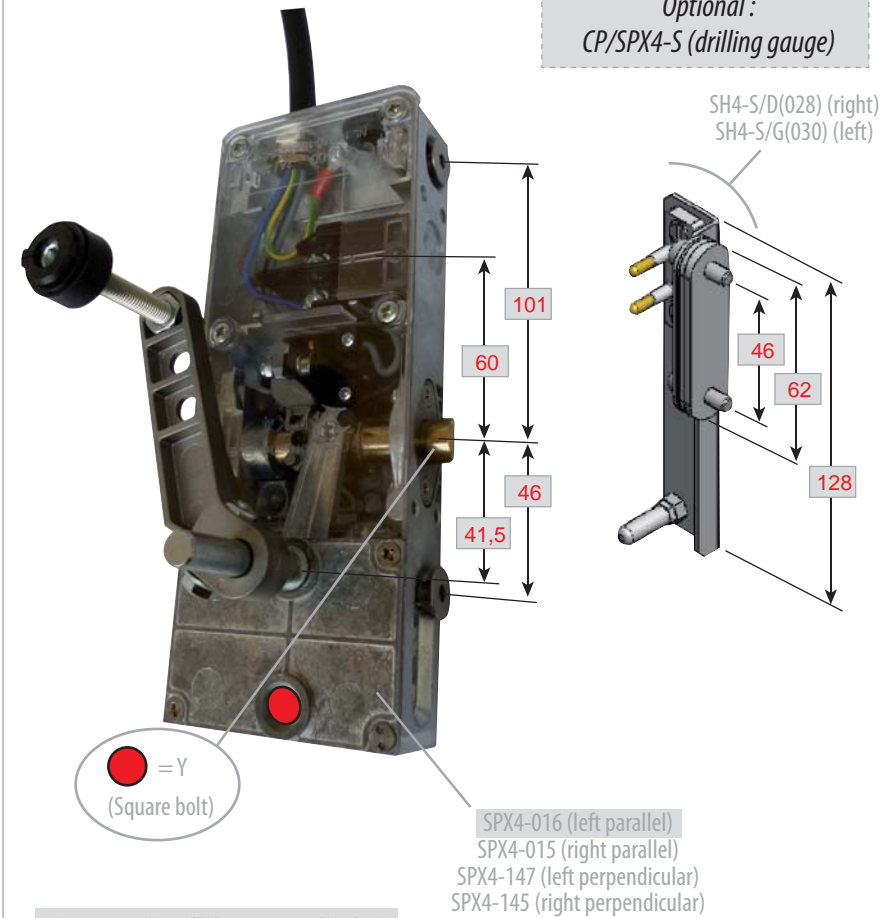
To replace :
Lock HE1 - HE2 (Schindler).



Substitution :

SPX4-S/*D (lateral right) (prudhomme S.a.)
SPX4-S/*G (lateral left)

Optional :
CP/SPX4-S (drilling gauge)



* = L or P (Parallel or Perpendicular)

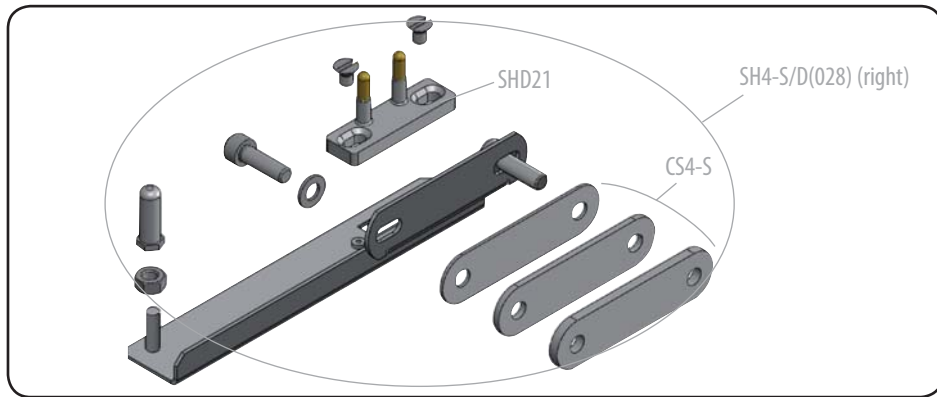
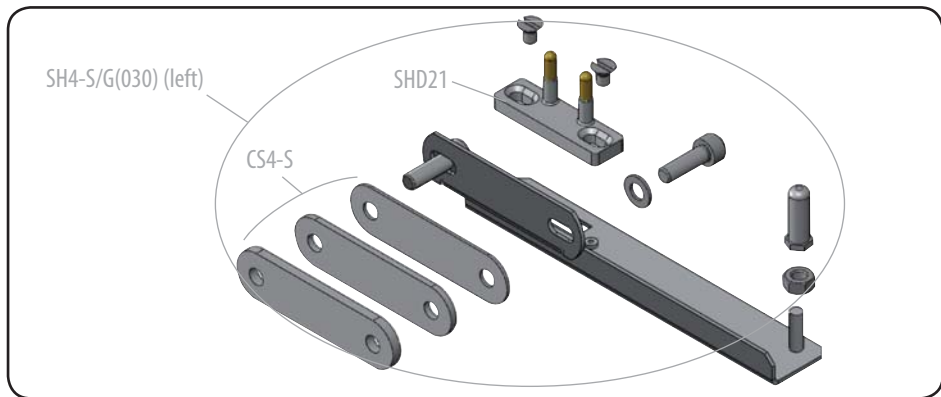
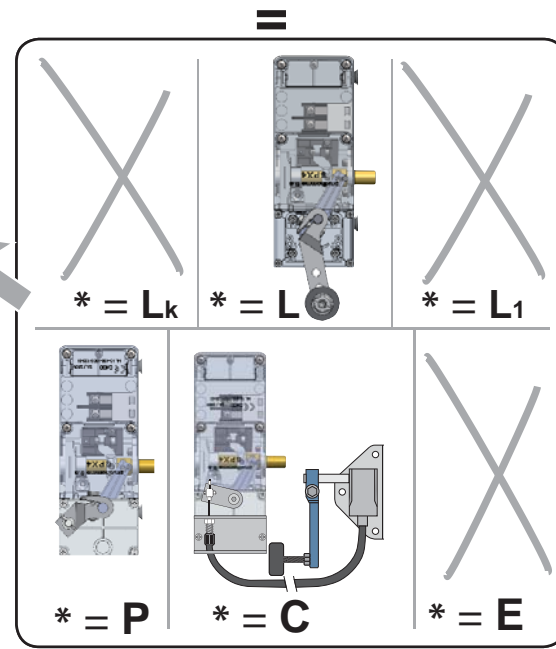
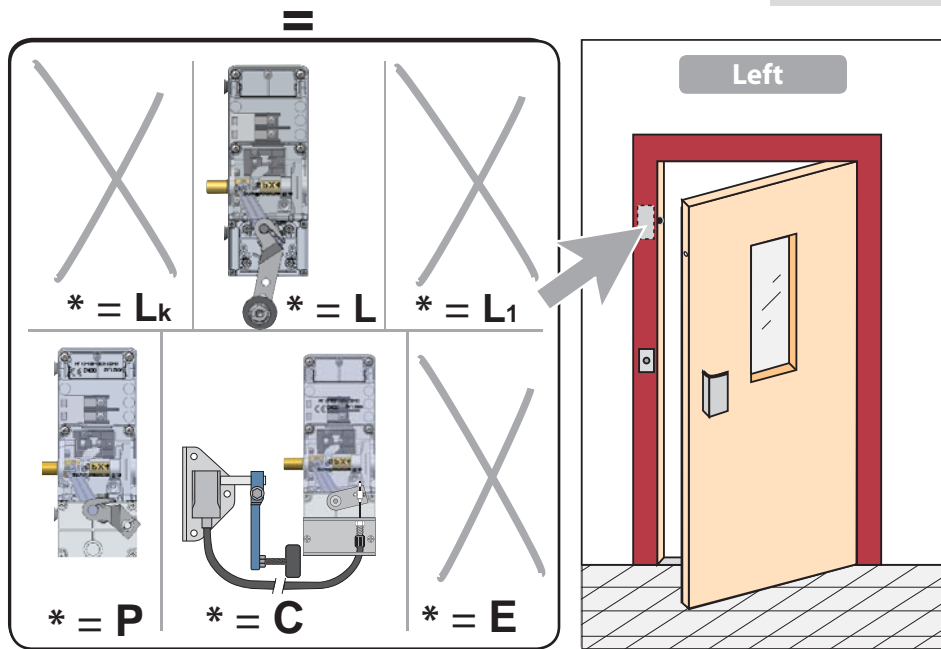
SPX4-S

Lock SPX4 for lock HE1/HE2 (Schindler)

ref. : **SPX4-S/*G**

* = L or P (Parallel or Perpendicular)

ref. : **SPX4-S/*D**



Lock SPX4 for lock HE1/HE2 (Schindler)

SPX4-S

Mounting stages

